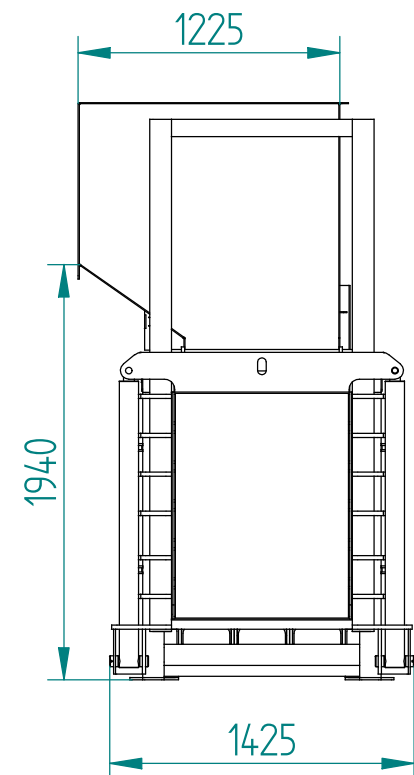
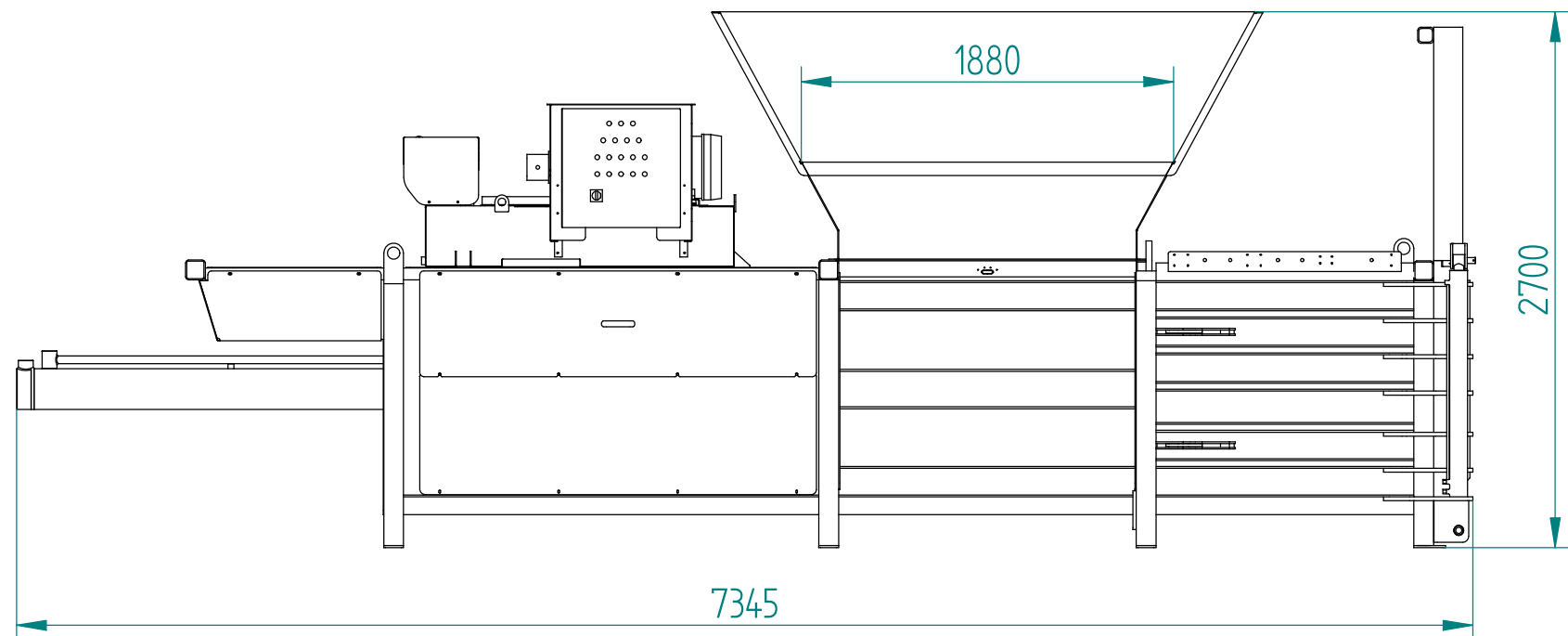
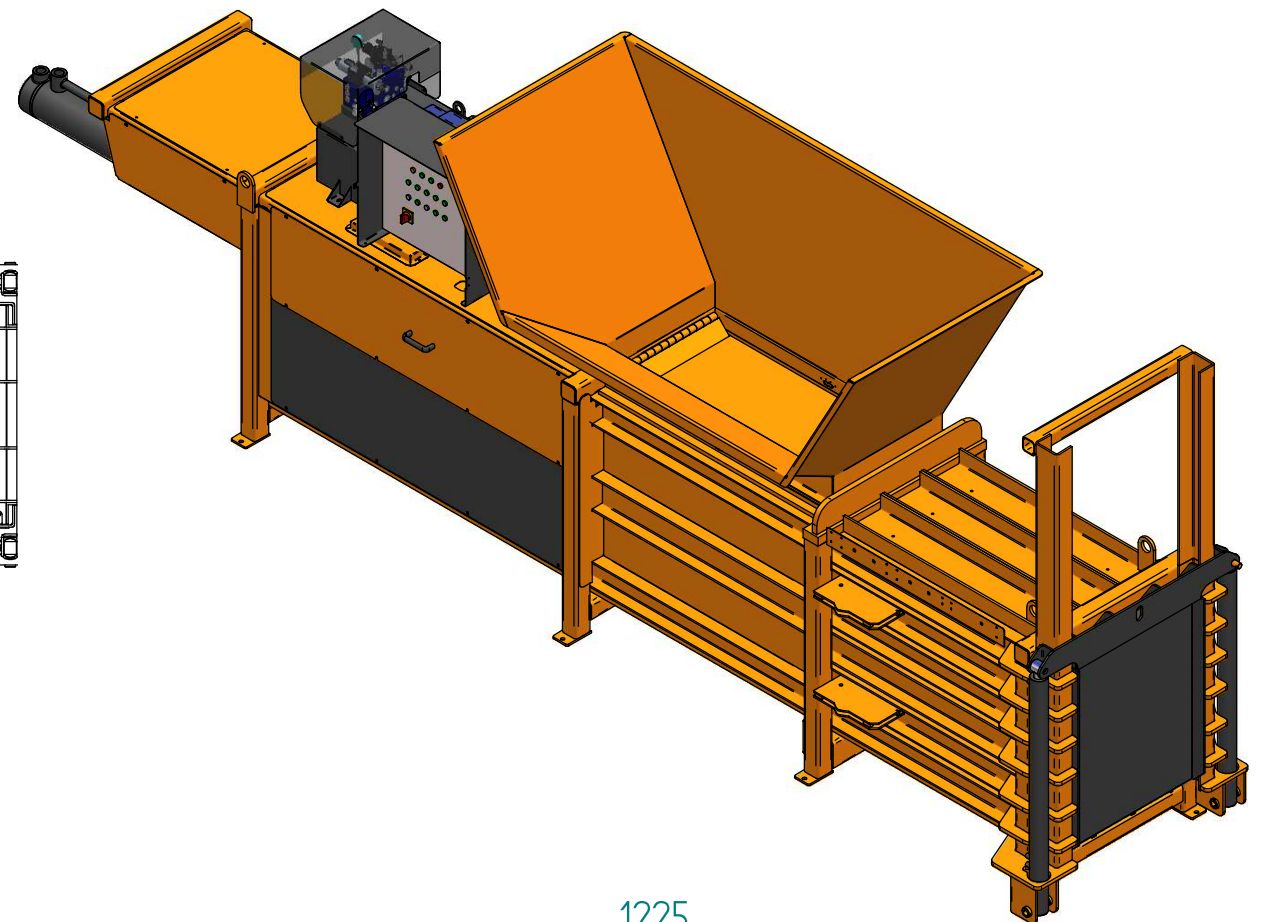
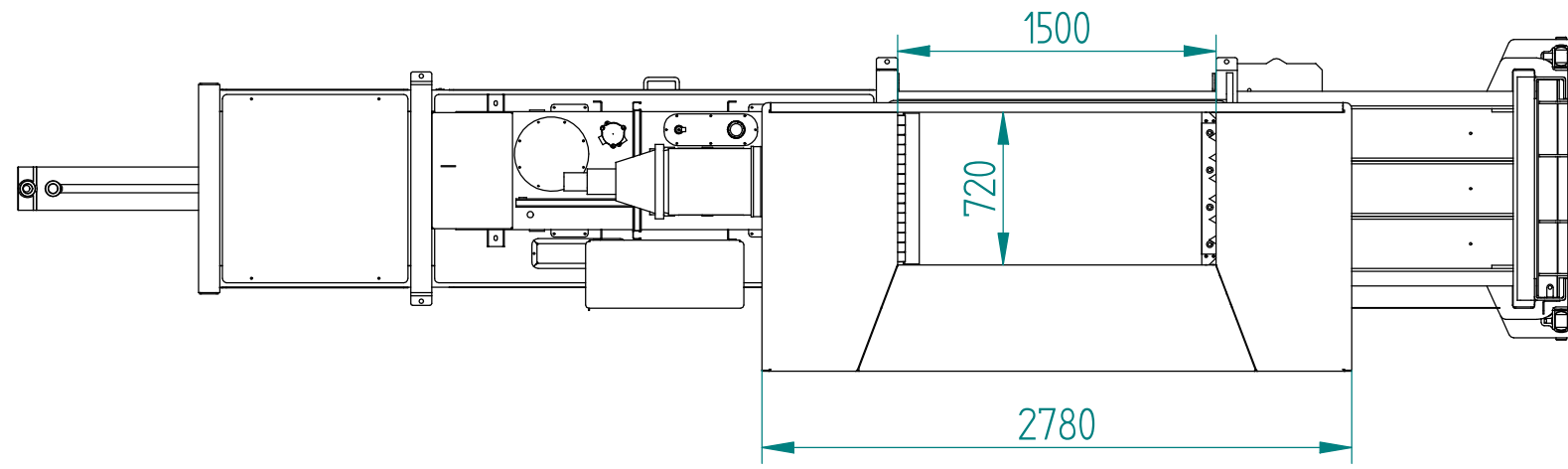



CK600HFE



	NAME	DATE	Title: CK600HFE	
DRAWN	G McCullagh	15/08/12	Machine:	
ENG APPR			SIZE A4	REV
UNLESS OTHERWISE SPECIFIED DIMENSIONS ARE IN MILLIMETERS			DWG NO CK600HFE	
			CK600HFE w Standard Flared Hopper.dft	
			SCALE:	SHEET 1 OF 1