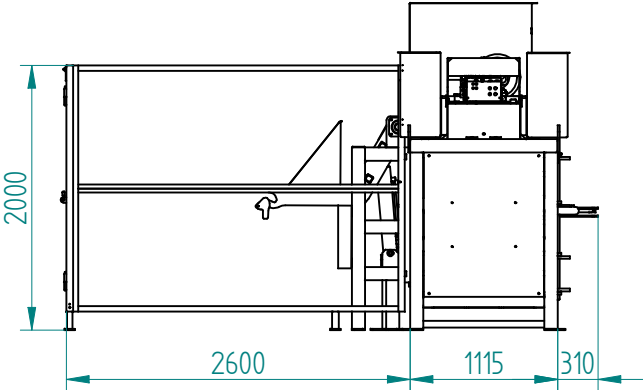
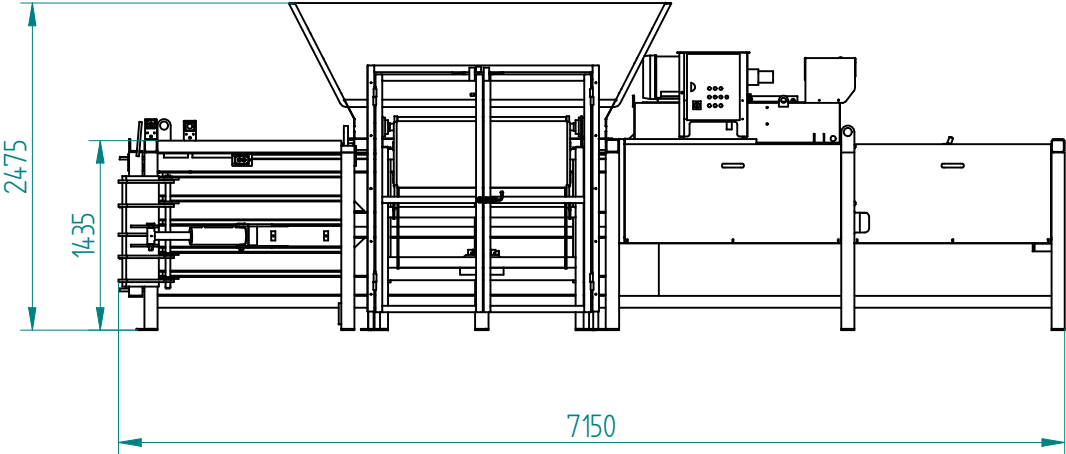
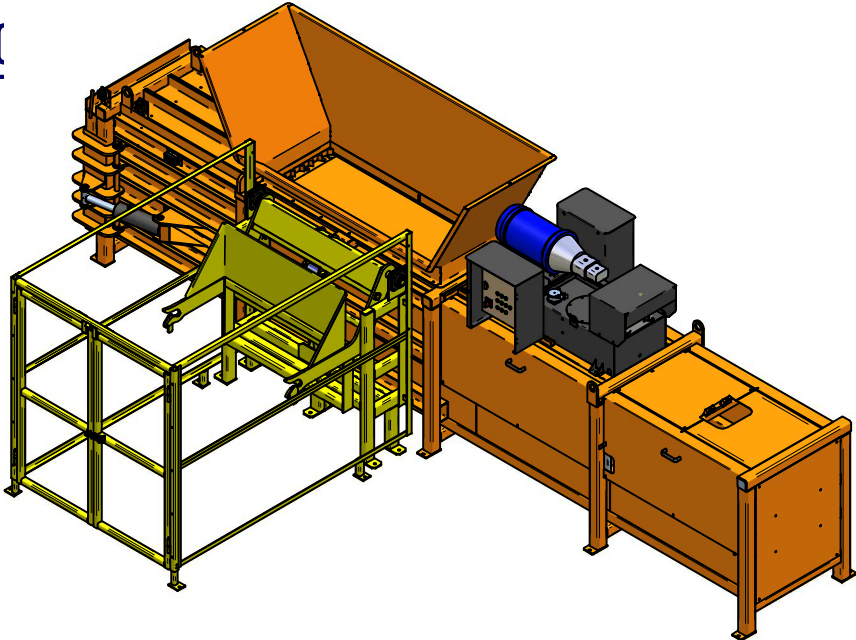
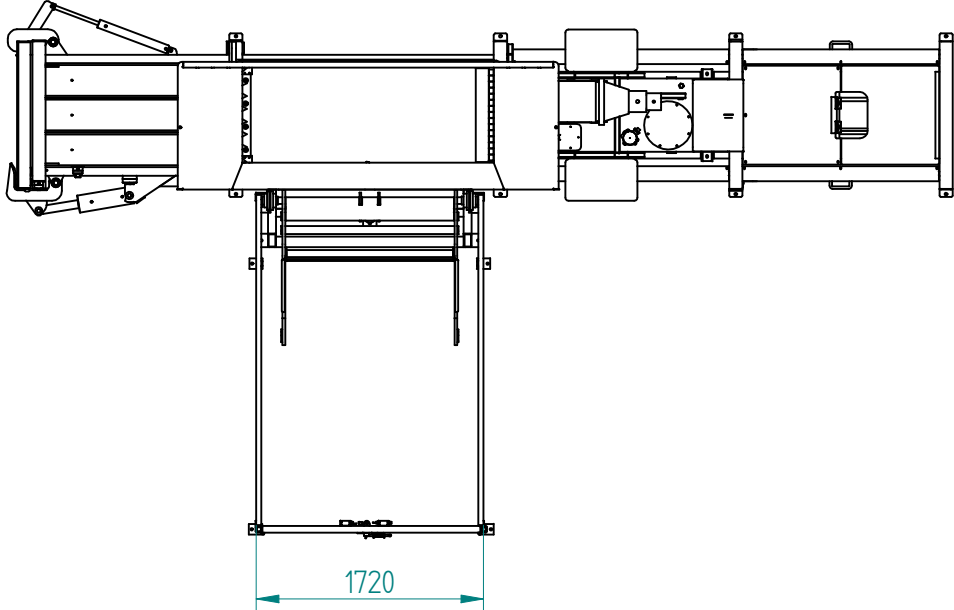



CK600 HXL with CK Binlift and 2.0m Safety Cage



	NAME	DATE	Title: CK600 HXL with CK Binlift and 2.0m Safety Cage	
DRAWN	G McCullagh	23/06/11	Machine:	
ENG APPR			SIZE A4	DWG NO CK600 HXL w binlift REV
UNLESS OTHERWISE SPECIFIED DIMENSIONS ARE IN MILLIMETERS			FILE NAME: CK600 HXL w binlift and 2m cage.dft	
 C.K. International Ltd			SCALE:	SHEET 1 OF 1