

Important Information

V-Press 818 plus

Baling press model HSM V-Press 818 plus
HSM order number 6150214

Loading flap with hand wheel door lock
incl. operating manual / declaration of conformity



Motor	3,0 kW
Voltage / Frequency	3 x 400 V / 50 Hz
Pressing power	185 kN
Machine weight	1031 kg
Hourly output	approx.. 2 - 5 bales
bale weight (material-dependent)	up to 230 kg
Maximum bale size	L 1200 x W 780 x max. H 900 mm
Dimensions of machine	W 1700 x D 1046 x H 2370 mm
Transport height of machine	1950 mm
Transit clearance	W 1100 x H 2000 mm

All technical data and dimensions are approximate values. Technical and design modifications reserved.

- Low height and small footprint
- High process reliability through HSM TCS (TorsionControlSystem)
- State-of-the-art microprocessor controller and membrane keypad with LED display, which show the current status of the machine
- Low maintenance, sturdy hydraulics and hardchromed pistons ensure long service life
- Pressing procedure starts automatically upon closing the door, upon opening the door, a security switch assures an automatic stop of the pressing procedure
- Mechanical bale ejector
- Semi automatic 4-fold strapping with polyester tape
- Basic equipment: 4 rolls of polyester tape

Consumable materials:

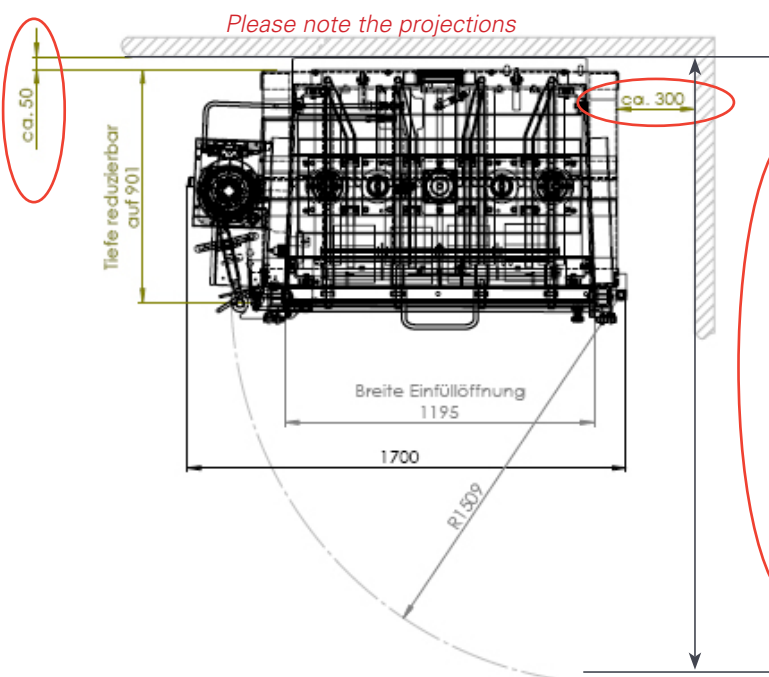
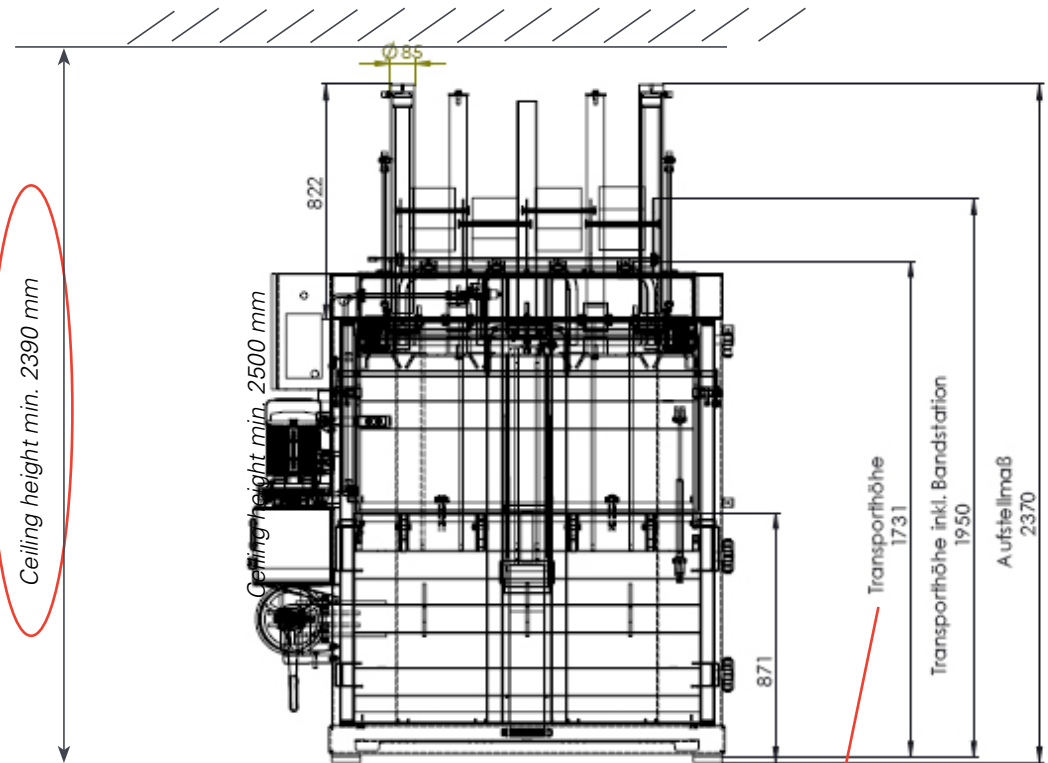
Strapping tape WG 40

HSM order number: 6212993010



Dimensions and space requirement

V-Press 818 plus



It is possible to dismantle the strapping station. Then the ceiling height is 1731 mm.

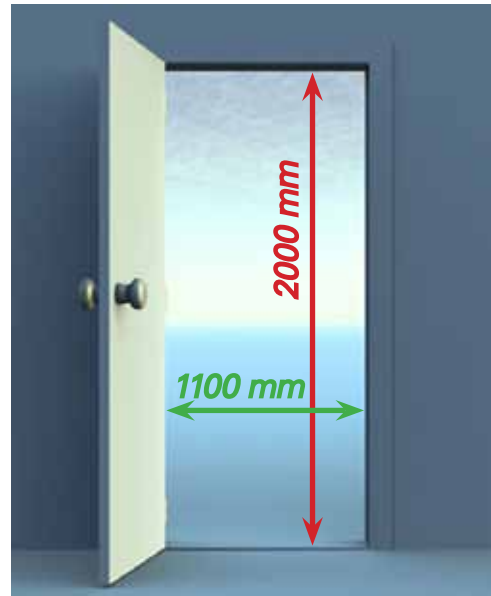
Required entire depth incl. swing range of the pressing door 2380 mm



Movement to the place of installation

V-Press 818 plus

- *Is there a stair / a higher ledge on the way to the place of installation ?
(an at-grade insertion has to be ensured)*
- *Has the press to be transported with an elevator / a lift ?
(loading capacity min. 1100 kg)*



minimum sizes of the doors / passages

- *Is the potential floor loading adequate for the machine?*



floor loading max. = 400 kg per m²

(bale weight enclosed)

Electrical connection

V-Press 818 plus

<i>Rated power</i>	<i>3,0 kW</i>
<i>Operating voltage U</i>	<i>400 V</i>
<i>Frequency</i>	<i>50 Hz</i>
<i>Rated current I_n</i>	<i>6,5 A</i>
<i>Battery backup</i>	<i>3 x 16 A (K, C-characterise)</i>
<i>Connector plug</i>	<i>CEE 5 x 16 A 6 H</i>
<i>Length of power supply</i>	<i>approx. 3000 mm</i>

All technical data and dimensions are approximate values. Technical and design modifications reserved.

