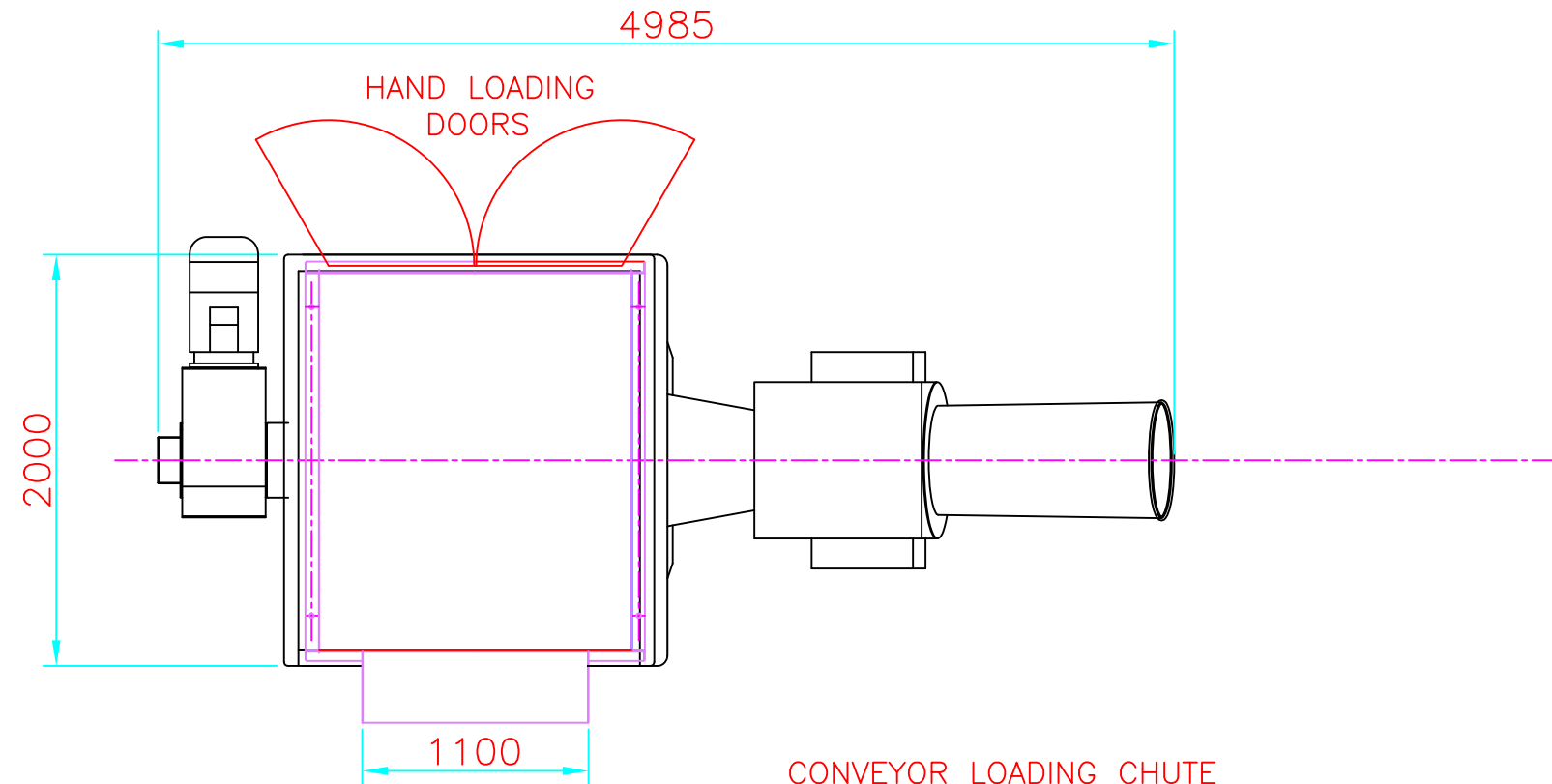


BUILD LIST

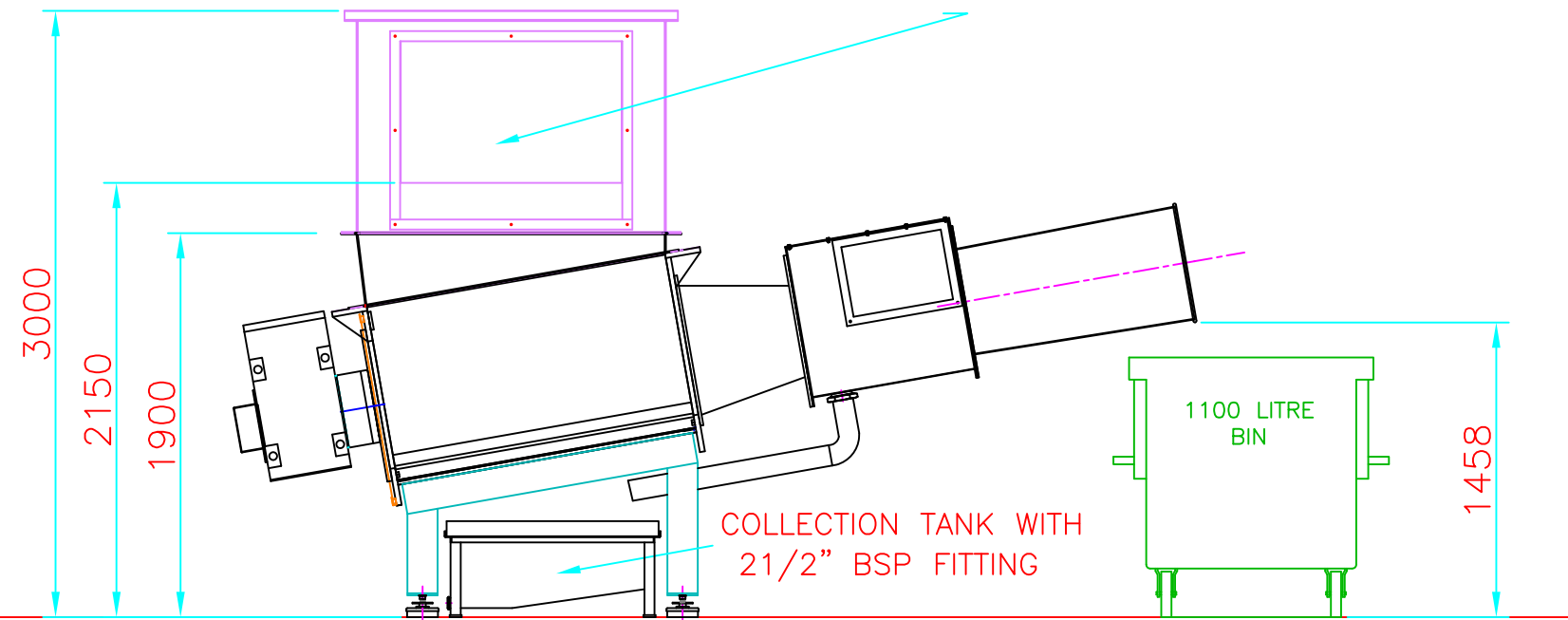
- 1: MACHINE TILTED AT 10 DEGREES
- 2: ENCLOSED HOPPER FOR CONVEYOR LOADING
- 3: HOPPER LOADING DOOR
- 4: 1100mm DISCHARGE PIPE
- 5: OPEN SUMP & PIPED BPT DRAINAGE
- 6: SUMP DEFLECTORS & SPLASH CURTAINS
- 7: COLLECTION TANK AND STRAINER



BOLTED PANEL ON THIS SIDE

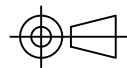
CONVEYOR LOADING CHUTE CAN BE MOVED REAR

CONTROL PANEL



COLLECTION TANK WITH 2 1/2" BSP FITTING

1100 LITRE BIN

A 3	DRAWN B.K.	ASSEMBLY NUMBER	DO NOT SCALE IF IN DOUBT - ASK! 	MATERIAL CARBON STEEL	NOTES: MACHINE TILTED AT TEN DEGREES RIGHT HAND DISCHARGE	TITLE 2000 SERIES REVOLUTION GENERAL ARRANGEMENT	BEAM SERVICES BROOKLYN HOUSE WOODBATCH LANE BISHOPS CASTLE SHROPSHIRE, SY9 5JT TEL: 01588 630430	
	APPD		DIMENSIONS IN MILLIMETRES TOLERANCES UNLESS STATED GENERAL ±1 HOLE CENTRES ±0.50 HOLE DIA ±0.25	TYPE 2000/11 6 RPM		THIS DRAWING IS THE PROPERTY OF BEAM SERVICES. COPYRIGHT IS STRICTLY RESERVED. IT MAY NOT BE REPRODUCED OR COPIED IN WHOLE OR IN PART, NOR ANY OF ITS CONTENTS BE REVEALED TO ANY THIRD PARTY WITHOUT PRIOR AUTHORITY. IT IS RETURNABLE ON DEMAND. © 1999		DRAWING NUMBER WCGA-001
	ORIGINAL DATE 06.03.15	SHEET NO. OF.	ALL SHARP EDGES AND CORNERS TO BE REMOVED	NEAREST EQUIVALENT		ISSUE DATE NOTE		ISSUE A